

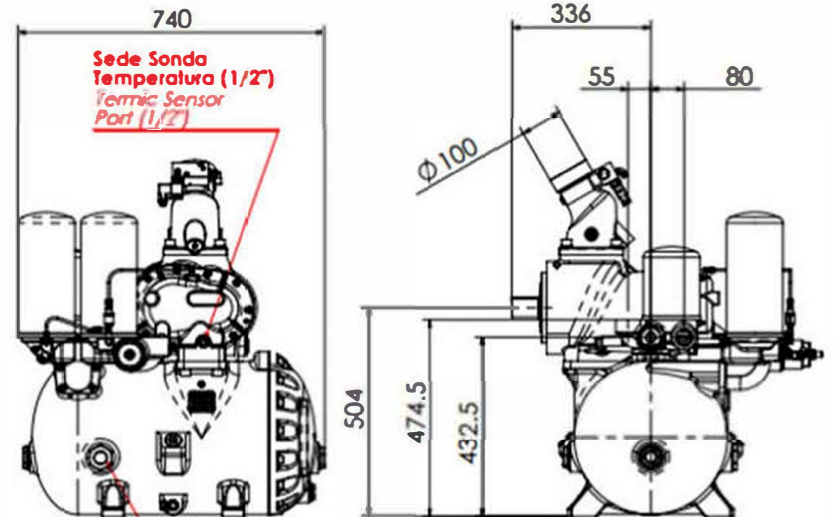
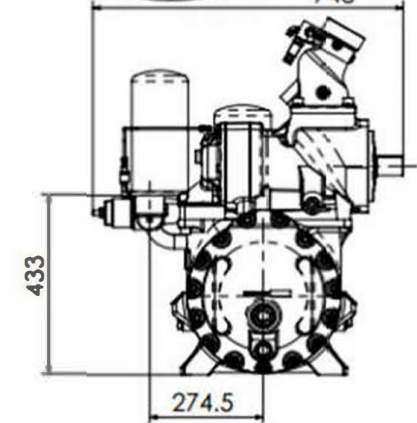
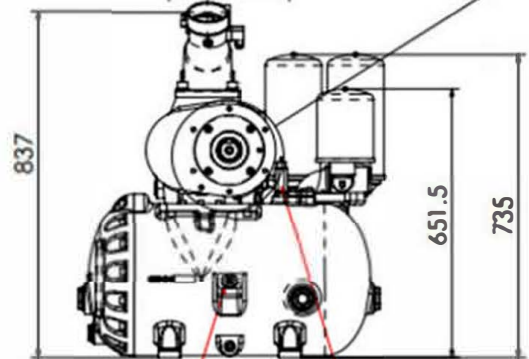
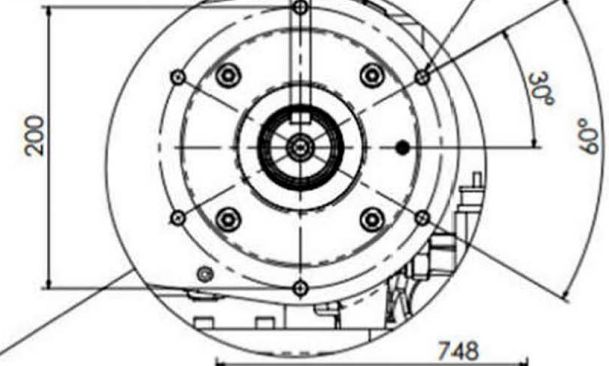
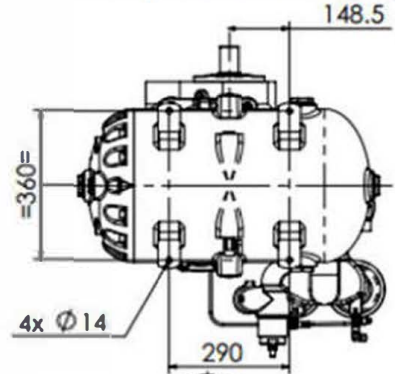


U.S. units system
The showed dimensions are in mm
Le quote mostrate sono in mm

Packsmart V150C RB80

Valvole brevettate per compressori rotativi a vite e a pistoni
Patented valves for piston and screw rotary compressors

$\varnothing 14 \text{ h9 } -0.04$
nr 6 M10 Seal Rings Equally Spaced



Sede Sonda Temperatura (1/2")
Thermic Sensor Port (1/2")

Visore Livello Olio
Oil level Viewer

B: Uscita Valvola di Minima (1-1/2")
Outlet Minimum Pressure Valve (1-1/2")

Tappo rabbocco olio (1")
Filling Oil Cap (1")

Valvola di Sicurezza
Safety Valve

F
Filtro Disoleatore
De-oiler Filter

Reg. Asp. RB80
Intake Valve RB80

DETAGLIO F
SCALA 2:17

R: Ritorno dal radiatore (1-1/4")
Return from the cooler (1-1/4")

U: Uscita Valvola Termostatica (1-1/4")
Outlet Thermostatic Valve (1-1/4")

Filtro Olio
Oil Filter

Tappo rabbocco olio (1")
Filling Oil Cap (1")

Rubinetto Scarico Olio (1/2")
Oil Drain Plug (1/2")

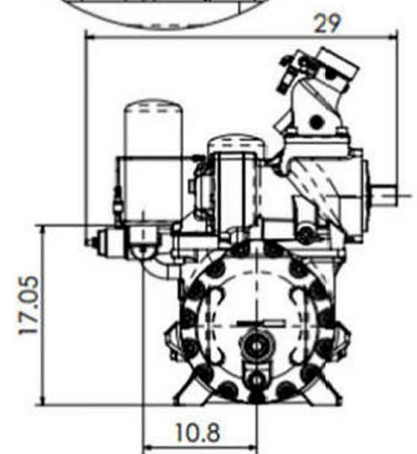
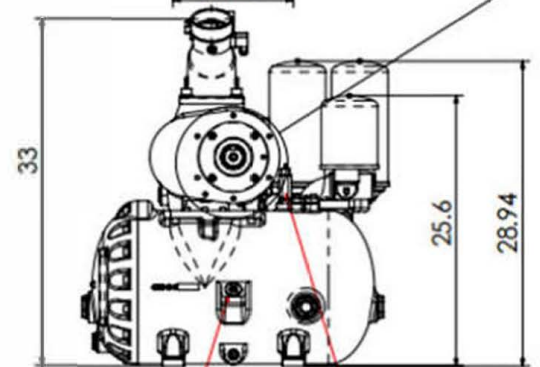
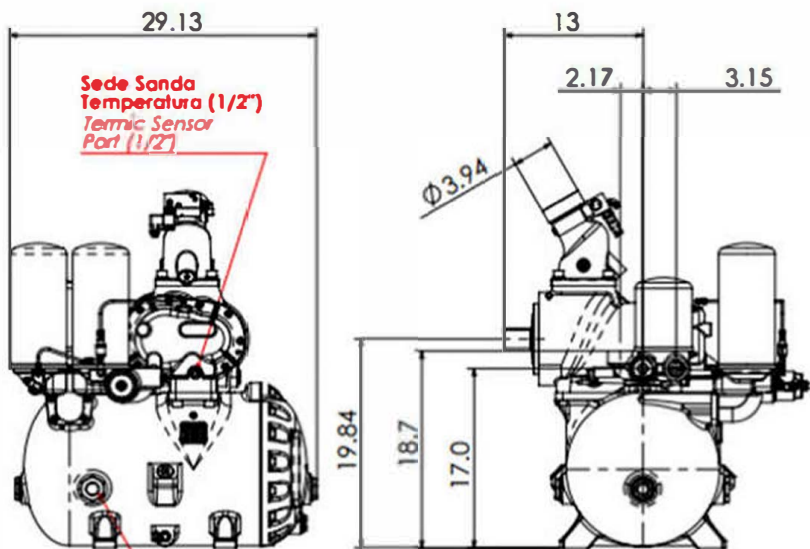
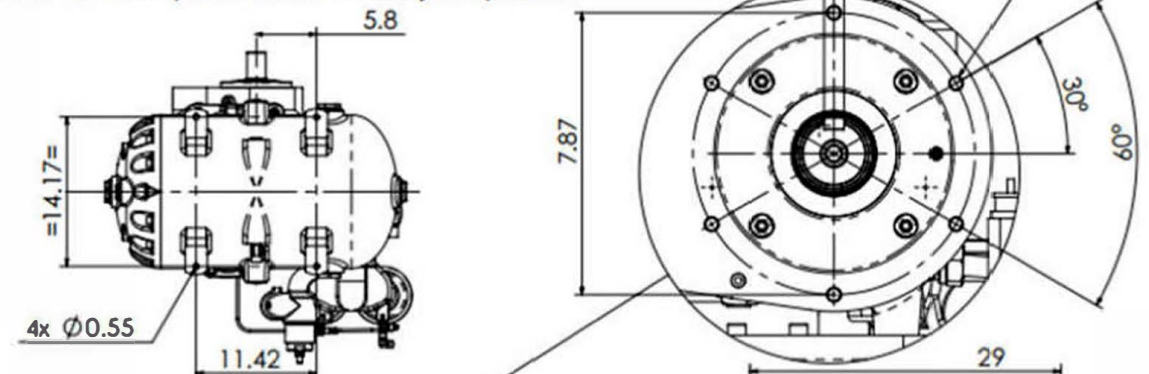


U.S. units system
The showed dimensions are in inch
Le quote mostrate sono in pollici

Packsmart V150C RB80

Valvole brevettate per compressori rotativi a vite e a piston
Patented valves for piston and screw rotary compressors

Ø0.55 h9
nr 6 M10 Screws
Equally Spaced



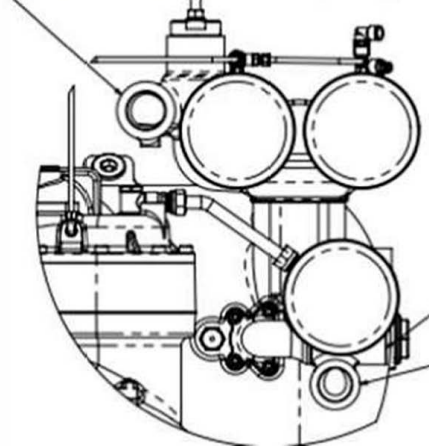
Sede Sonda Temperatura (1/2")
Tempic Sensor Part (1/2")

Visore Livello Olio
Oil level Viewer

Tappo rabbocco olio (1")
Filling Oil Cap (1")

Valvola di Sicurezza
Safety Valve

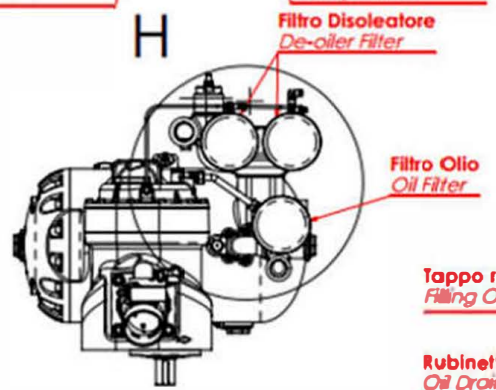
B: Uscita Valvola di Minima (1-1/2")
Outlet Minimum Pressure Valve (1-1/2")



DETAIL H
SCALE 2 : 17

R: Ritorno dal radiatore (1-1/4")
Return from the cooler (1-1/4")

U: Uscita Valvola Termostatica (1-1/4")
Outlet Thermostatic Valve (1-1/4")

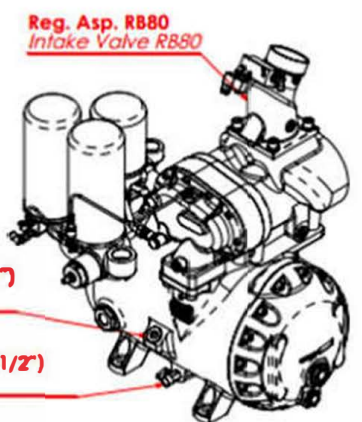


Filtro Disoleatore
De-oiler Filter

Filtro Olio
Oil Filter

Tappo rabbocco olio (1")
Filling Oil Cap (1")

Rubinetto Scarico Olio (1/2")
Oil Drain Plug (1/2")



Reg. Asp. RB80
Intake Valve RB80