

EVO2

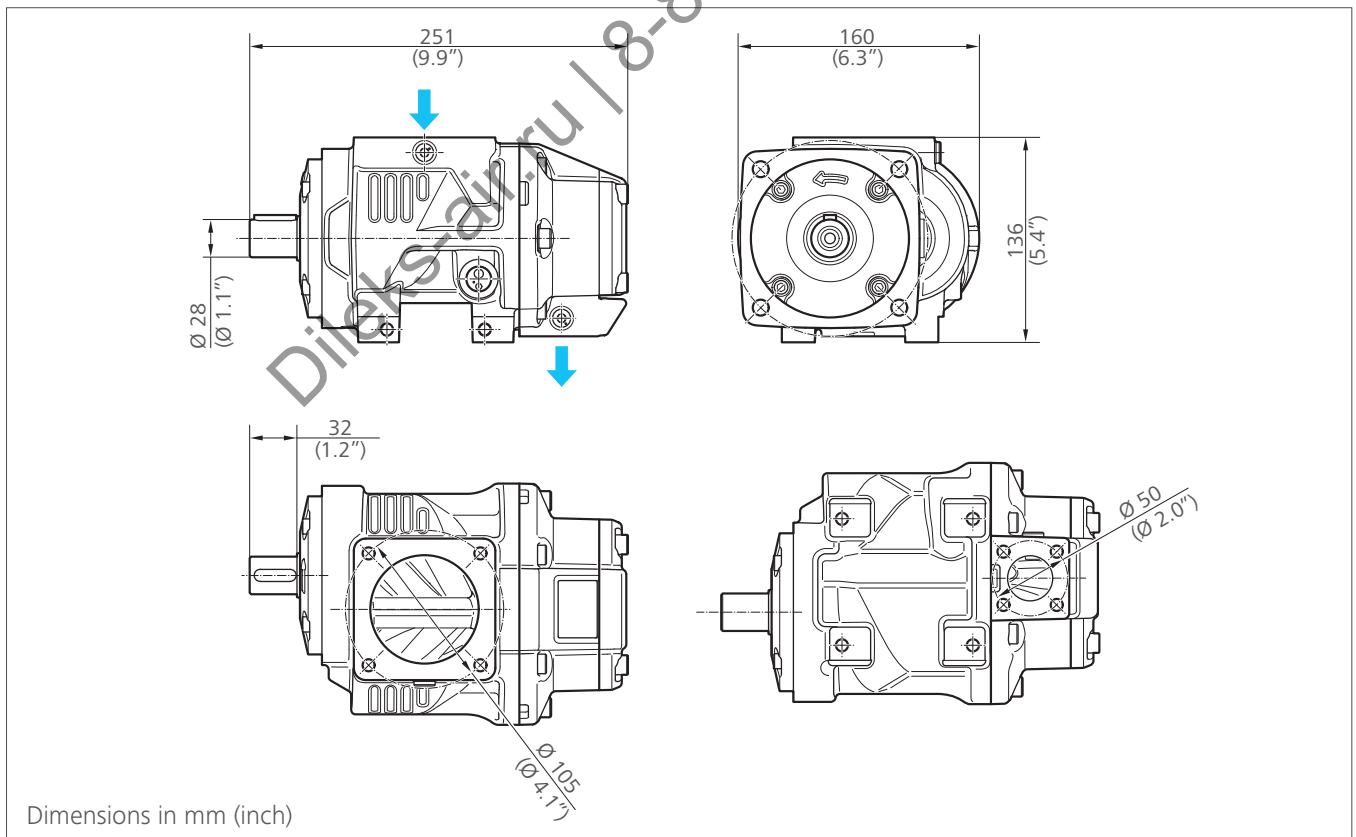
Air end



TECHNICAL SPECIFICATION

- | | |
|---------------------|----------------------------------|
| › Power range up to | 11 kW / 15 HP |
| › Capacity up to | 1.4 m ³ /min / 60 cfm |
| › Pressure up to | 15 barg / 218 psig |
| › Weight approx. | 15 kg / 33 lbs |

››› Dimensioning

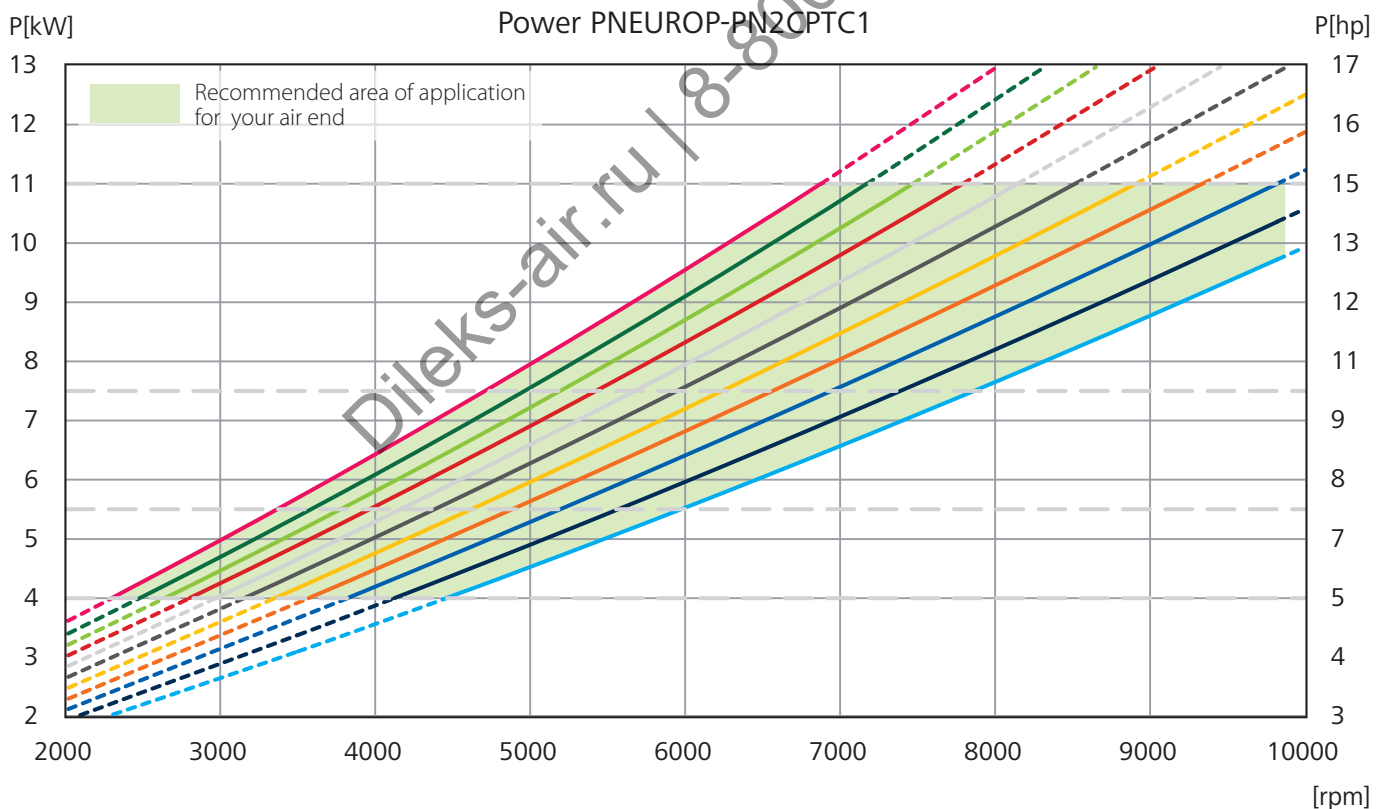
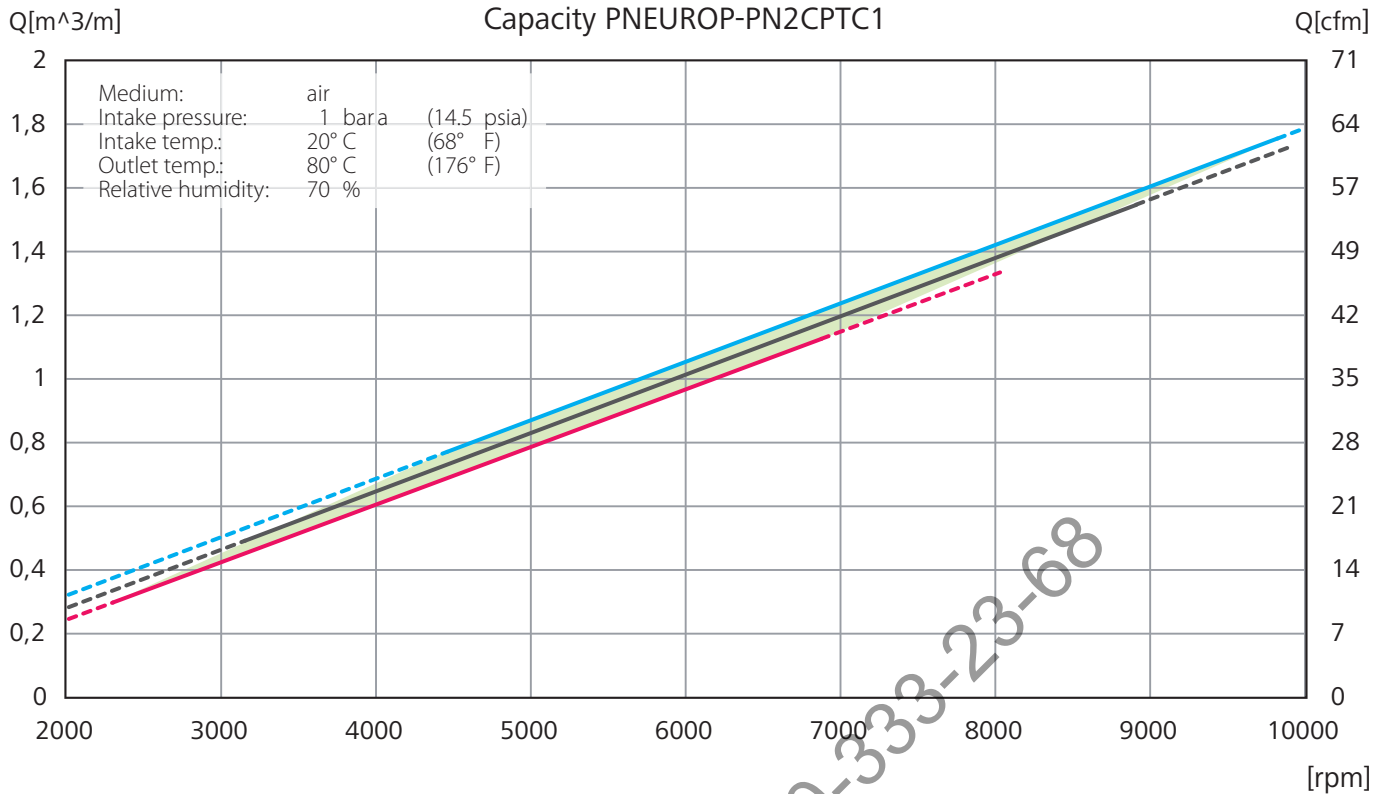


For detailed design, please order the installation drawing/3d model.

Technical modifications and errors excepted!
© 2013 ROTORCOMP®, Germany



Performance Data



— Typical motor characteristic lines

- | | | | | | | | | | | | |
|----|----|-----|-----|-----|-----|-----|-----|-----|-----|-----|------|
| 5 | 6 | 7 | 8 | 9 | 10 | 11 | 12 | 13 | 14 | 15 | barg |
| 73 | 87 | 102 | 116 | 131 | 145 | 160 | 174 | 189 | 203 | 218 | psig |

Technical modifications and errors excepted!
 © 2013 ROTORCOMP®, Germany

www.rotorcomp.de

DILEKS.RU | DILEKS-AIR.RU