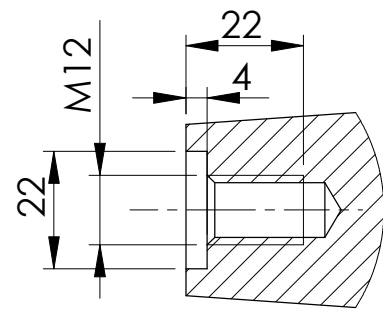
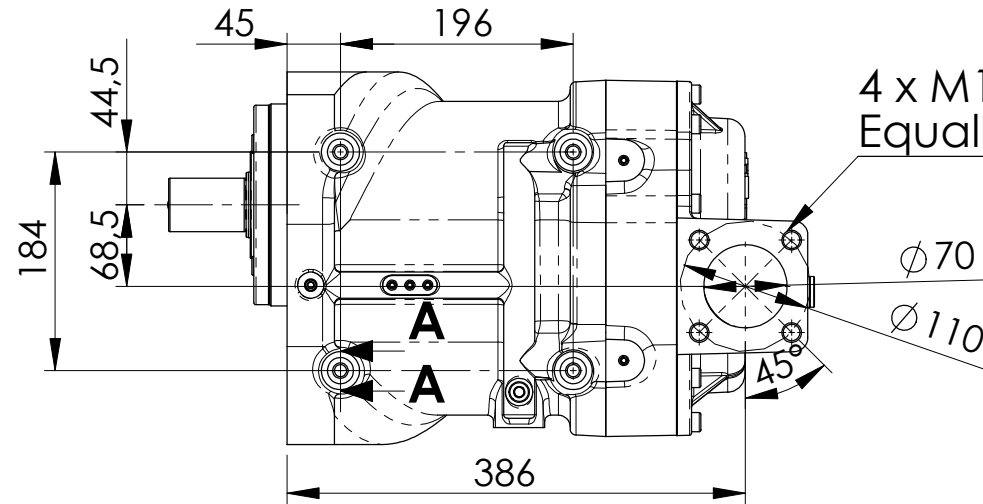




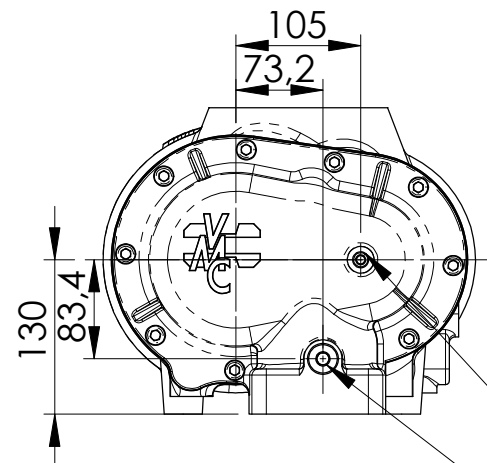
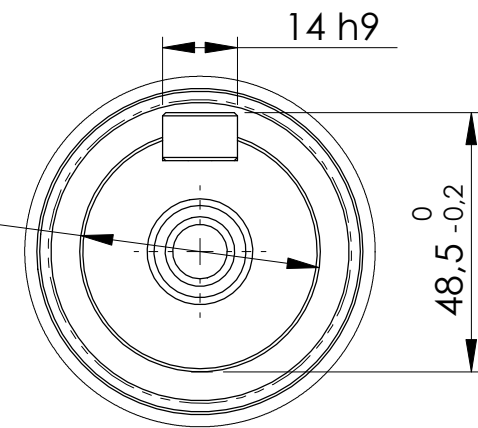
SECTION A-A
4 Holes to baseplate connection
SCALE 1 : 2



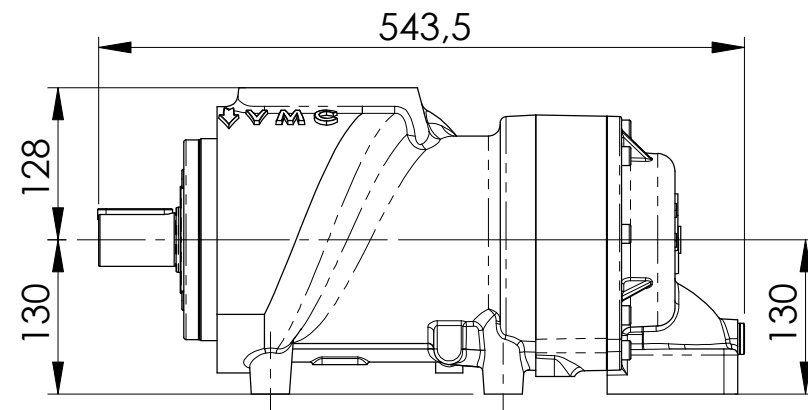
GRUPPO VITE MOD. V150/B
AIR END MOD. V150/B



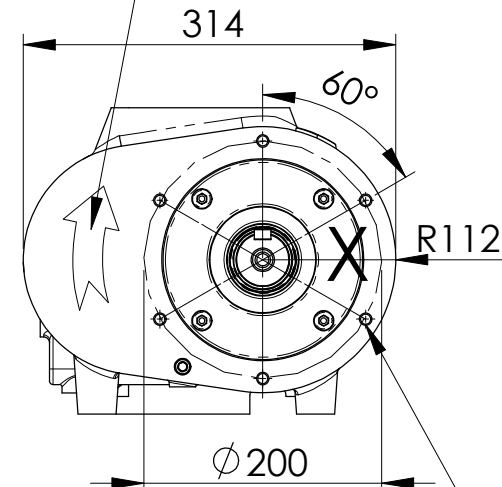
DETAIL X
SCALE 1 : 2



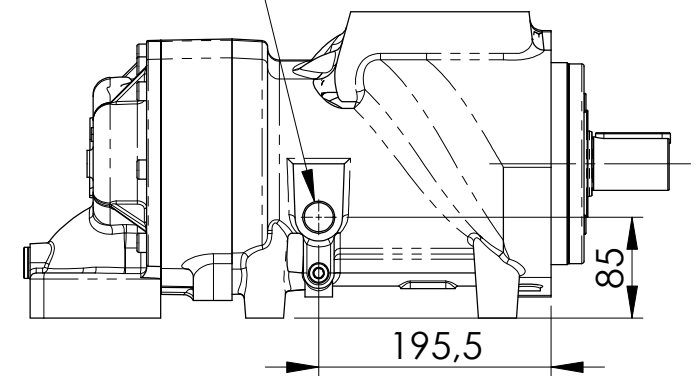
G1/2" Thread Depth 20
Drainage oil from oil separator
G1/4" Thread Depth 15



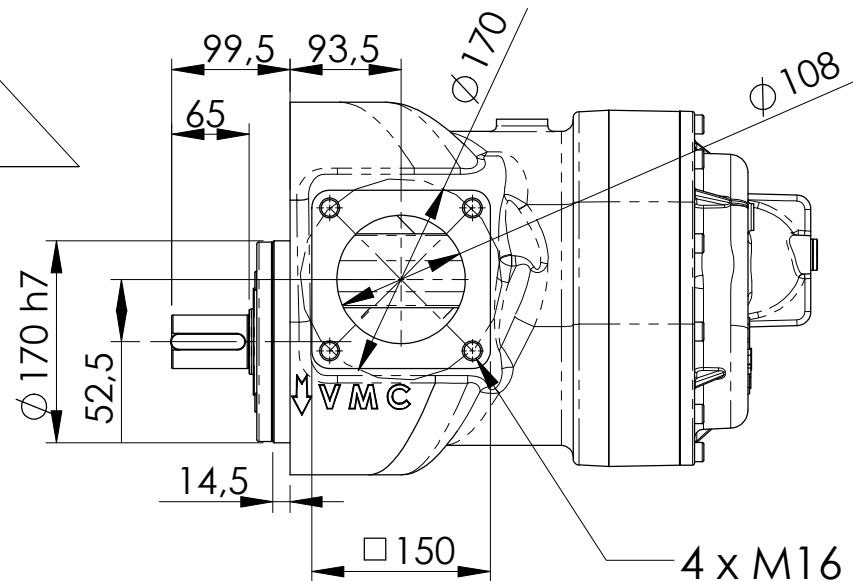
Direction of rotation



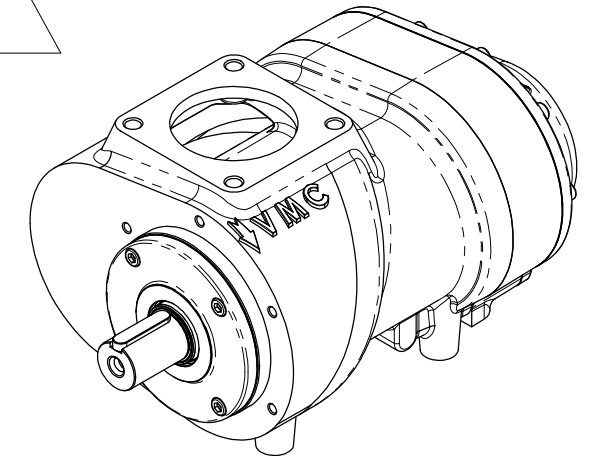
Oil Injection
G3/4" Thread Depth 20



6 x M10 Thread
Depth 16
Equally space



4 x M16 Thread Depth 20
Equally Space



TIPO TYPE	PQ	REVISIONE REVISION	00	DATA DATE	03/07 DILEKS.RU DILEKS-AIR.RU	GRUPPO ARTICLE	930	ARTICOLO ARTICLE	.10	MODELLO MODEL	00
--------------	----	-----------------------	----	--------------	------------------------------------	-------------------	-----	---------------------	-----	------------------	----